

STEAM CLEANER

# HYDROVAP SG-3,5M

 INSTRUCTION MANUAL



## 1.0 DESCRIPTION

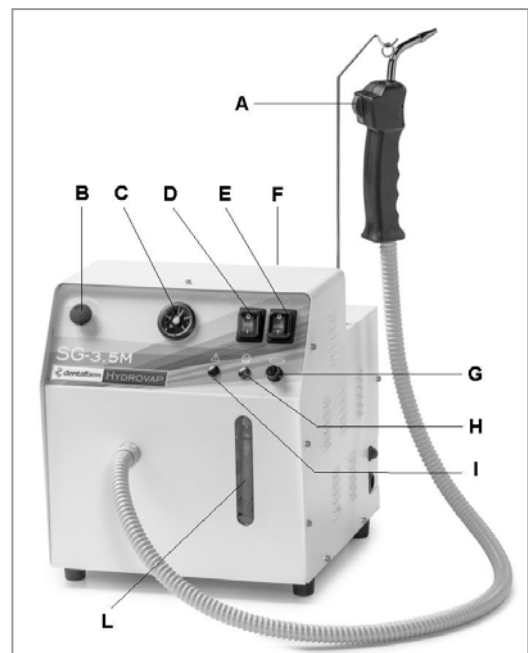
The **Hydrovap** steam cleaning machine has been designed for professional use in Dental Laboratories. It is commonly used in dental field to fulfil disparate requirements. In Dental Laboratory, it allows to degrease the instruments, to clean and neutralize metal frameworks, to eliminate film residues such as dust particles, wax, polishing residues, fatty layers, insulating agents, etc. Quite often, it is successfully used in Dental Cabinets, too to accomplish specific cleaning and sanitising operation and to remove impurities.

**Hydrovap** is fitted with a flexible hose for easy handling - gun can be suitably pointed to take full advantage of the powerful steam jet. The saturation and the steam pressure (6 BAR) are referred to the water temperature inside the boiler (155°C). The boiler pot (4,9 liters) can be filled with water up to 2/3 of its capacity thus devoting a considerable room for the steam which assures a long operating time. Time necessary to attain the final temperature (15 -18 minutes approximately) is quite restricted. The water filling system is automatic: a pump collects at a steady rate small quantities of water from an outer tank to restore the level and prevent the temperature from decreasing too much.

The specific feature of our **Hydrovap** is the adoption of a special heating resistance not plunged in water. This unique solution avoids the suspended salts to stratify on the resistance and assures not to lose in performance which would inevitably lead the components to break down.

### CONTROLS AND MAIN COMPONENTS

- A Steam button on gun
- B Steam adjust knob
- C Pressure gauge
- D Heating switch
- E Main switch
- F Boiler filling cap
- G Fuse-holder
- H Heating control light
- I Warning light
- L Tank water level



## 2.0 TECHNICAL REFERENCE REGULATIONS AND TEST PROCEDURES

**Hydrovap** is mass-manufactured by DENTALFARM in compliance with technical and safety rules in force, as provided for by the 2006/42/EEC Community Directive on Machinery.

Careful inspection and full routine testing are carried out singularly on each machine, which is furtherly tested by an automatic test installation assuring compliance with the fixed limits.

### 3.0 SAFETY PRECAUTIONS

ATTENTION: when using electrical appliances, in order to prevent electrocutions, woundings and risks of fire, the following safety precautions must be strictly followed.

1. **Do not use the unit improperly and for purposes differing from the one described in the present manual.**
2. **Keep yr working place in order** - disorder in the working place involves risk of accidents.
3. **Keep children away** – do not allow third persons to touch either the cable or the unit itself, keep them away from the operating area, above all children.
4. **Working clothes** – during work, always dress in a convenient manner, avoid loose-fitting or lose-sleeved clothes.
5. **Wear safety goggles and gloves** – always use protective goggles and heat-insulating gloves to avoid injuries and scalds.
6. **Environmental conditions** – do not use electric appliances in damp or wet places or close to inflammable liquids or gas.
7. **Avoid unsafe positions** – be careful in choosing a safe position allowing to keep always a stable balance.
8. **Do not use the machine outdoor** – the machine has been designed for indoor use, in well lighted and aired rooms.
9. **Avoid any accidental starting** – before plugging in, make sure that the main switch is in idle position.
10. **Pay always utmost attention when working** – during any working operation, never be distracted. Any negligence may cause an accident. Should more attendants work close together, we recommend to stay at safety distance from both the operator and the machine.
11. **Protection against electrocution** – avoid any coincident contact with any device fitted with ground connection, namely wires, radiators, refrigerators.
12. **Do not overload the tool** – any machine will assure the best performance and work more safely is used within the rating specifications on the label.
13. **Fix in place the piece to be machined** – make sure that the piece is accurately secured and firm in place. We recommend to work carefully and grasp firmly the steam spraying gun and avoid to point it towards persons or any object nearby.
14. **Do not lay any objects on the steam cleaner** and keep the ventilation slots free from any obstruction.
15. **Take care of your machine** – check regularly the cable and in case of damage have it repaired or replaced by skilled personnel. Check periodically the handpiece cord and its content and replace whenever damaged – bear in mind that both handpieces and controls must be well dry and clean.
16. **Check that no component of the machine has been either damaged or tampered** - before using the unit check accurately the efficiency and the perfect running of the safety devices and the parts eventually damaged. Check operation of the moving components, that they are unlocked, that there are no damaged parts and that every component has been assembled in the correct way and that all the conditions which may affect the regular operation of the machine are at the best. Safety devices or damaged parts must be repaired or replaced by skilled after-sale servicing centres, if not otherwise specified in the User Manual.
17. **Maintenance** – do not perform any maintenance or repair on this device while unit is plugged in. Always unplug and disconnect from socket.
18. **Use only genuine parts and recommended accessories** in our instruction manual or as part of our catalogue offer. The use of non-genuine parts can cause damage and accidents, void your warranty and make unit non-compliant.
19. **Repair by skilled personnel only** – this electrical appliance complies with Safety Regulations in force. The repair of electric tools must be carried out exclusively by appointed servicing centres.

## 4.0 INSTALLATION INSTRUCTIONS

Please take care to unpack the unit and remove it from inside the carton, dispose of any packaging material and keep the special accessory set.

Find a suitable position in your Laboratory, ideally put it on a safe and stable work surface, preferably near the sink to allow the steam to start emitting evenly and to collect the steam residues. Be careful to arrange the steam cleaner so as not to obstruct the cooling slots all around the housing.

Our **Hidrovap** steam cleaner has not been designed for wall mounting. Should you opt for this solution, it will be necessary to fit a sturdy shelf to bear its weight under full load (14 kg) and to fix it at a proper height allowing free operation of the steam gun.

Confirm that electrical ratings listed on the back plate of the unit meet the local mains electricity supply data. The socket must feature 10 A with suitable ground connection.

Introduce the gun support hook in the proper seat aside the cap and hang the spraying gun.

The unit must be filled with demineralised water, the first filling operation is 3.5 liters. Unscrew the safety tank cap, pour in water gently by means of the funnel supplied with. Check water level in the rear slot. To preserve the minimum water volume necessary to produce steam, a specific system has been developed avoiding an excessive water inlet.

## 5.0 OPERATION

Fill in water in the tank, power on the main switch and the heating switch.

As the required pressure and temperature are attained, the central control light is ON and the unit is ready to work.

Wear the proper heat-insulating gloves due to the high steam flow temperature.

Take care to hold tightly the object to be cleaned (better if pliers are used), grasp firmly the gun and press button.

It is possible to adjust the steam flow according to the requirements: by turning clockwise, it will decrease, when counterclockwise, it will increase.

At the end of the work, hang the gun to the proper hook.

As steam is used, the pressure will decrease but the resistance will restore the normal working conditions.

At the end of the day, turn off both switches.

<b>Important:</b>	With cold machine under idle mode, before operating the heating switch, we suggest to refill water to assure a long operation.
<b>Attention:</b>	During the cooling stage, steam will be condensing and the boiler will thus be under vacuum. If you do not open the cap to refill, it is recommended to press the gun button to allow air to flow in which will be replacing the free room at the inside.
<b>Attention:</b>	Should the quantity of water in the boiler drastically drop, a safety device will cut off feeding to the resistance and a light indicator (warning light <u>!</u> on) will be activated. <b>Never open the boiler cap if under pressure!</b> Always wait for the pressure gauge to reach the zero position before unscrewing the cap.

## 6.0 INSTRUCTIONS FOR THE REGULAR MAINTENANCE

Any maintenance operation has to be carried out under cold unit, in idle mode and unplugged from mains.

### Cleaning

For external cleaning, wipe any moist residues from the unit housing, cleanse with liquids free from chemical abrasive or corrosive agents.

### Feeding cable

Check regularly the conditions of the electric cable, if damaged have it replaced by skilled personnel.

### Handpiece cord

Check regularly the conditions of the gun cord, if damaged it could compromise safety. Replace when necessary by skilled technical personnel.

## 7.0 POSSIBLE INCONVENIENCES

All the above-mentioned operations must be carried out in idle mode, when the machine is cold and unplugged. Do not carry out any maintenance, adjust or repair operations if not expressly stated in the present User Manual. Should occasion arise, please contact our servicing centre.

Problem: <b>THE UNIT DOES NOT START</b>	
Possible cause	Remedy
No current to the steam machine.	Check that the connection wire between the unit and the mains has been correctly plugged in the socket and if suitable fuses have been fitted upline.
No current to the resistance.	Check the network fuse.

Problem: <b>THE UNIT IS NOISY WHEN COLD</b>	
Possible cause	Remedy
The boiler is under vacuum.	Open temporarily the water load cap or activate the gun push button for few seconds.

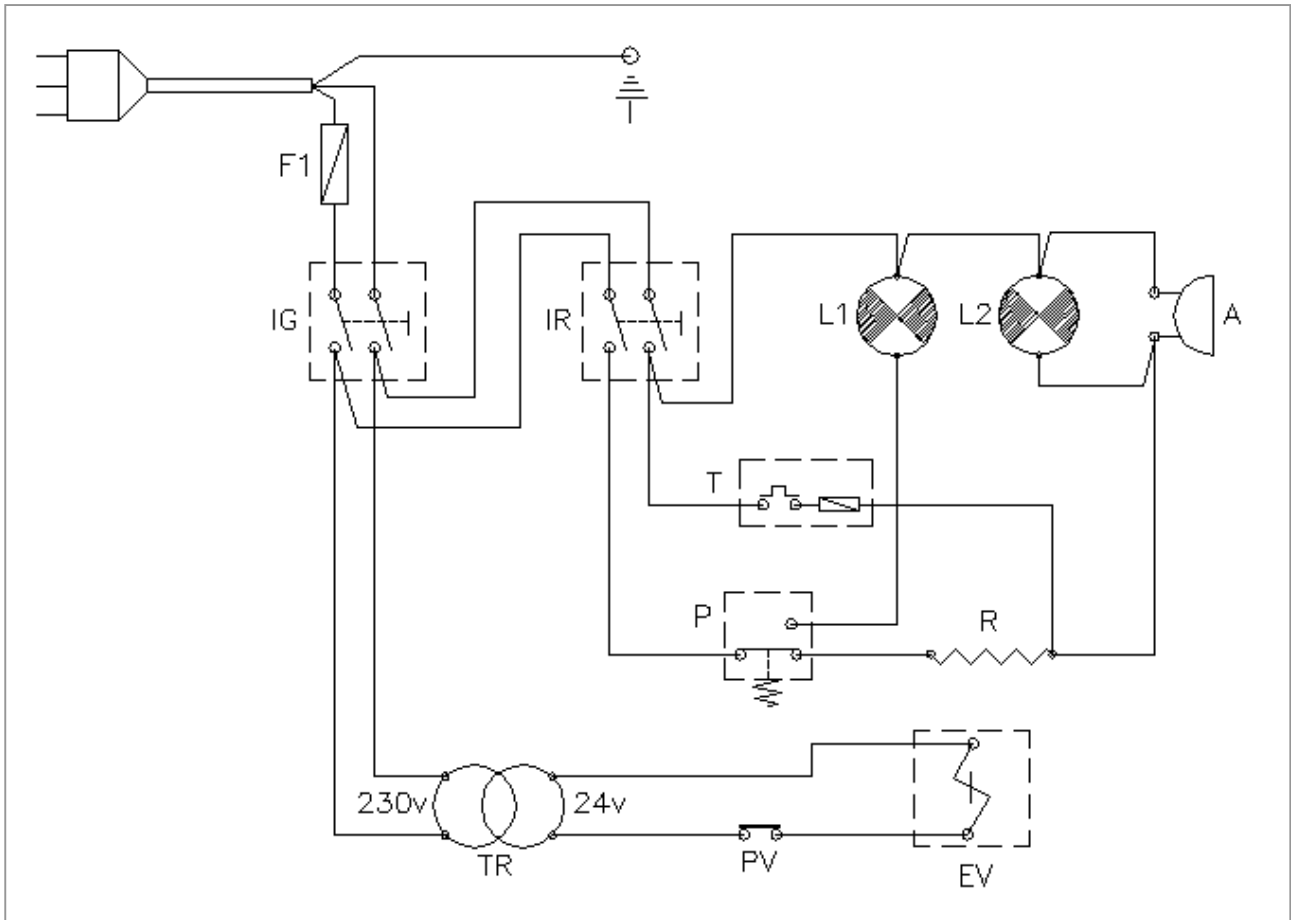
Problem: <b>THE UNIT DOES NOT HEAT UP</b>	
Possible cause	Remedy
No current to the resistance.	The safety thermostat is in, check if quantity of water is sufficient.
Pressure switch open or damaged.	Contact the technical service.

Problem: <b>NO STEAM RELEASE</b>	
Possible cause	Remedy
Flow regulator is closed.	Check that the flow adjust knob is not completely tightened.
No current to the solenoid valve	The gun push button is damaged. Coil has burnt.
Clogged spraying nozzle or dirty solenoid valve	Check that the gun nozzle is not clogged and that lime salts have not obstructed the valve inner channel.

Problem: **AIR ESCAPING FROM WATER INLET CAP**

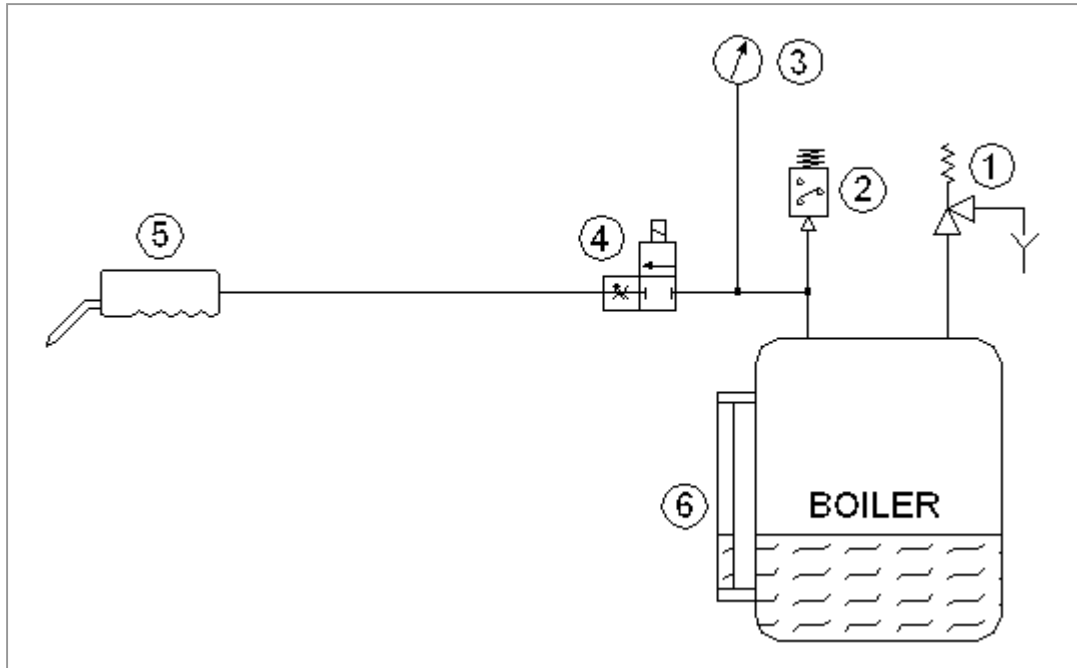
Possible cause	Remedy
The cap has not been properly tightened.	Check and tighten properly.
The cap joint is worn out.	Ask for a new joint and replace.
Cap with built-in safety valve	Pressure has exceeded the recommended limits and as a consequence the valve is releasing pressure. Contact the technical service.

## 8.0 WIRING DRAWING



RIF.	DESCRIPTION
<b>IG</b>	Main switch
<b>IR</b>	Heating switch
<b>F1</b>	10Amp. network fuse
<b>L1</b>	Heating control light
<b>L2</b>	Warning light
<b>A</b>	Sound alarm
<b>R</b>	Heating resistance
<b>T</b>	200°C Safety thermostat
<b>P</b>	Pressure switch
<b>TR</b>	Transformer
<b>EV</b>	Steam safety valve
<b>PV</b>	Gun push button

## 9.0 HYDRAULIC CIRCUIT

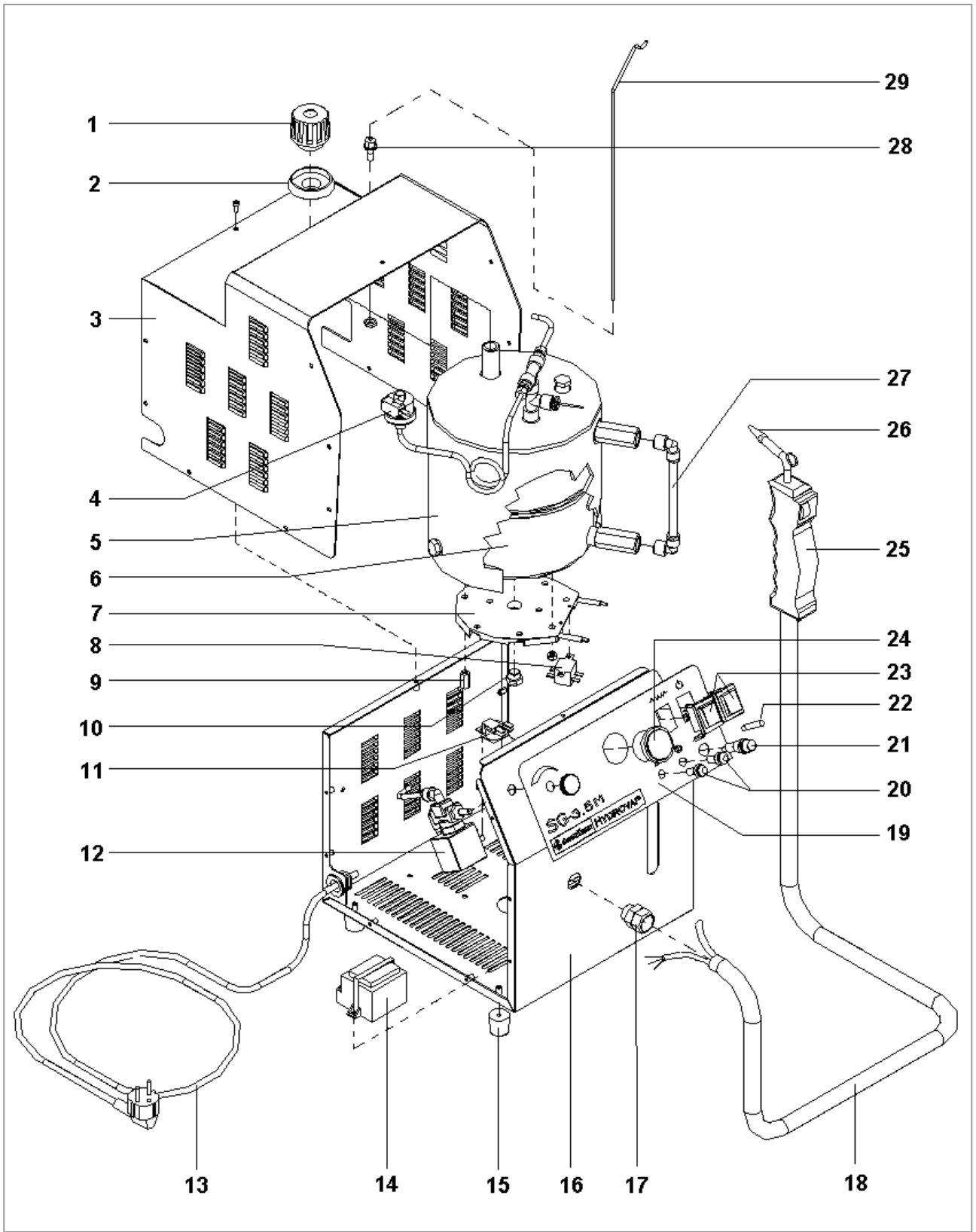


REF.	DESCRIPTION
<b>BOILER</b>	Boiler
<b>1</b>	Filling cap with safety valve
<b>2</b>	Pressure switch
<b>3</b>	Pressure gauge
<b>4</b>	Solenoid valve for handpiece steam jet
<b>5</b>	Handpiece
<b>6</b>	Level control kit

## 10.0 EXPLODED DRAWING AND SPARE-PART LIST

RIF.	CODICE	DESCRIPTION
1	<b>2103016</b>	FILLING CAP WITH SAFETY VALVE
2	<b>2103017</b>	JOINT ON CASE
3	<b>2103007</b>	PROTECTION CASE
4	<b>2103022</b>	PRESSURE SWITCH
5	<b>2103009</b>	BOILER INSULATION
6	<b>2103008M</b>	STAINLESS STEEL BOILER, MANUAL
7	<b>2103010</b>	ARMORED RESISTANCE
8	<b>2103021</b>	SAFETY THERMOSTAT
9	<b>2103034</b>	SPACER FOR BOILER
10	<b>2103035</b>	WATER DRAIN CAP
11	<b>2103024</b>	SOUND ALARM
12	<b>2103023</b>	STEAM SAFETY VALVE
13	<b>2103025</b>	FEEDING CABLE
14	<b>2103020</b>	TRANSFORMER
15	<b>2103026</b>	RUBBER FEET
16	<b>2103006</b>	CONTROL COMPARTMENT
17	<b>2103015</b>	HOSE PIPE-FITTING
18	<b>2103014</b>	HANDPIECE CORD COMPLETE
19	<b>2103004</b>	HYDROVAP SG3.5M LABEL
20	<b>2103029</b>	RED WARNING LIGHT
21	<b>2103030</b>	FUSE-HOLDER
22	<b>2103031</b>	10 Amp FUSE
23	<b>2103028</b>	TWO-POLE RED SWITCH
24	<b>2103027</b>	STEAM PRESSURE GAUGE
25	<b>2103012</b>	STEAM SPRAYING GUN
26	<b>2103013</b>	STEAM NOZZLE
27	<b>2103011</b>	WATER LEVEL PIPING
28	<b>2103032</b>	HOOK SUPPORT
29	<b>2103033</b>	GUN SUPPORT HOOK





## 11.0 TECHNICAL FEATURES

Description	Dato - Data
Feeding tension	230V AC
Fuses	10 Amp
Absorbed power	1500 W
Absorbed current	5.8 Amp
Tension on controls	24 V
Boiler total capacity	4.9 l
Water volume	3.5 l
Water temperature	155 °C
Pressure	6 BAR
Time necessary to achieve the temperature	15-18 min
Overall dimensions	mm 330x350x350h
Weight (net /gross)	kg 10.5 / 14.0

## 12.0 DEMOLITION AND WASTE DISPOSAL

According to International regulations, this unit has been classified as AEE (electric and electronic device, whose correct operation depends on electric currents and electromagnetic fields) and as a consequence, at the end of its lifetime, it can not be treated as normal waste material but it must be disposed separately, complying with the Directive 2002/96/EEC.




### **DENTALFARM s.r.l.**

Via Susa, 9/a - 10138 TORINO - ITALY

 TECHNICAL-COMMERCIAL SERVICE **(+39) 011/4346588**

 AFTER-SALE SERVICE **011/4346632**

 FAX **011/ 4346366**

E-mail: **info@dentalfarm.it**

Sito – web site: **www.dentalfarm.it**